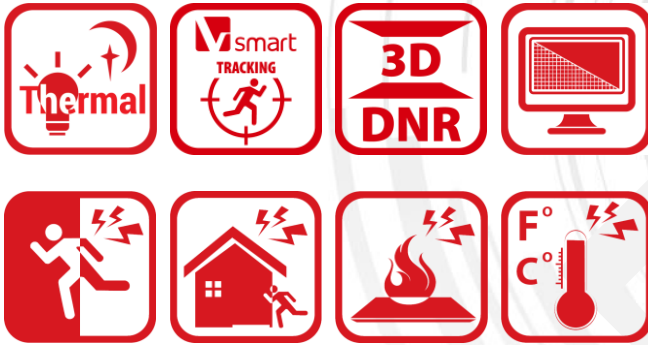


## DS-2TX3636-25P

### Thermal Smart Linkage Tracking System



Hikvision DS-2TX3636-25P Thermal Smart Linkage Tracking Systems is formed by one fixed camera and one PTZ camera. The PTZ camera smartly tracks multiple moving targets, and the fixed camera offers the panoramic view. The linkage of both can be realized by the client software.

It provides you with smart detection of moving targets with up to 183 m effective detecting distance (to human targets), 1470 m effective detecting distance (to vehicle targets), and up to 30 targets can be tracked simultaneously. The system mainly applies to major industrial infrastructures requiring perimeter prevention, such as: airport, prison, railway, museum, enterprise, high-end villas and others.

### Features

- Leading image processing technology: Adaptive AGC, DDE, 3D DNR, NETD < 40mk (@25 °C, F#=1.0)
- 384\*288 resolution, high sensitivity sensor, support contrast adjustment
- 3D DNR, 15 palettes of color adjustable, image detail enhancement
- Speed Dome: Support 36x optical zoom with over 200m IR distance

### Smart Function

- Smart analysis and linkage, no VCA Server configuration requirement
- Automatic master-slave Tracking: Stable and continuous tracking
- Manual master-slave tracking: Select any region of fixed camera in the client software, the speed dome automatically adjusts PTZ to centralize the selected region
- Master-slave Linkage Rules: Intrusion Detection, Line Crossing Detection
- 30 Targets Simultaneously Trackable. Up to 183 m effective detecting distance (to human targets)
- Multi-tracking targets and auto target switch, with less than 1s response time
- Tracking duration, sensitivity and target type can be configured



## Specifications

|                             |  |
|-----------------------------|--|
| <b>Model</b>                | <b>DS-2TX3636-25P</b>  |
| <b>System Functions</b>     |  |
| Click Linkage               | Support  |
| Tracking Mode               | Manual/Auto  |
| Multi-targets Tracking      | Up to 30 Targets Simultaneously; Up to 183 m effective detecting distance (to human targets), 1470 m effective detecting distance (to vehicle targets) |
| Switch Time                 | Less than 1s   |
| Master-slave Linkage Rules  | Support Intrusion Detection, Line Crossing Detection,  |
| Tracking Time Configuration | Support  |
| Sensitivity Configuration   | Support  |
| <b>Fixed Camera</b>         |  |
| Image sensor                | Vanadium Oxide Uncooled Focal Plane Arrays   |
| Max. resolution             | 384 × 288  |
| Response waveband           | 8μm to 14μm  |
| NETD                        | < 40mk (@25 °C, F#=1.0)  |
| Lens (focal length)         | 25 mm  |
| IFOV (MRAD)                 | 0.68 mrad  |
| Field of View               | 14.88 ° × 11.19 °  |
| Min. focusing distance      | 13 m   |
| F number                    | 1.0  |
| Main stream                 | 50fps (384×288)  |
| Sub stream                  | 50fps (384×288)  |
| Third stream                | 50fps (384×288)  |
| Video compression           | H.264 (Baseline/Main/High Profile) / MJPEG/H.265, H.264+, H.265+   |
| Audio compression           | G.711u/G.711a/G.722.1/MP2L2/G.726/PCM  |
| Memory Card                 | Built-in Micro SD card slot, support Micro SD/SDHC/SDXC card (up to 64G), support manual/alarm recording   |
| Alarm input                 | 2-ch inputs (0-5vDC)   |
| Alarm output                | 2-ch relay outputs, alarm response actions configurable  |
| Audio input                 | 1 3.5mm Mic in/Line in interface. Line input: 2-2.4V[p-p], output impedance: 1KΩ±10%   |
| Audio output                | Line level, impedance: 600Ω  |
| Analog video output         | 1.0V[p-p] / 75Ω, PAL(or NTSC), BNC   |
| <b>Speed Dome</b>           |  |
| Image Sensor                | 1/1.9" Progressive Scan CMOS   |
| Min. Illumination           | 50 IRE; Color: 0.002Lux @ (F1.5, AGC ON), B/W: 0.0002Lux @ (F1.5, AGC ON), 0 Lux with IR   |
| Max. Image Resolution       | 1920 × 1080  |
| Focal Length                | 5.7 to 205.2, 36×  |
| Digital Zoom                | 16 ×   |
| Zoom Speed                  | Approx. 7.4s (Optical, Wide-Tele)  |
| Angle of View               | 58.7 ° to 2.0 ° (Wide-Tele)  |
| Min. Working Distance       | 10mm to 1500mm (Wide-Tele)   |
| Aperture Range              | F 1.5 to F 4.5   |
| Focus Mode                  | Auto/Semiautomatic/Manual  |
| WDR                         | 120dB  |
| Shutter Time                | 50 Hz: 1s to 30,000s; 60Hz: 1s to 30,000s  |

|                              |  |
|------------------------------|--|
| AGC                          | Auto/Manual  |
| White Balance                | Auto/Manual/ATW (Auto-tracking White Balance)/Indoor/Outdoor/Daylight Lamp/Sodium Lamp   |
| Day & Night                  | IR cut filter  |
| Privacy Mask                 | 24 programmable privacy masks  |
| Optical Defog                | Support  |
| Enhancement                  | 3D DNR, EIS, HLC/BLC, SVC  |
| Pan Speed                    | Manual Speed: 0.1 %s to 160 %s<br>Preset: 240 %s   |
| Tilt Speed                   | Manual Speed: 0.1 %s to 120 %s<br>Preset: 200 %s   |
| Main Stream                  | 50Hz: 25fps (1920 × 1080, 1280 × 960, 1280 × 720)<br>60Hz: 30fps (1920 × 1080, 1280 × 960, 1280 × 720)   |
| Sub Stream                   | 50Hz: 25fps (704 × 576, 352 × 288, 176 × 144)<br>60Hz: 30fps (704 × 480, 352 × 240, 176 × 120)   |
| Third Stream                 | 50Hz: 25fps (1920 × 1080, 1280 × 960, 1280 × 720, 704 × 576, 352 × 288, 176 × 144)<br>60Hz: 30fps (1920 × 1080, 1280 × 960, 1280 × 720, 704 × 480, 352 × 240, 176 × 120) |
| Image Compression            | H.264 (Baseline/Main/High Profile)/MJPEG/MPEG4   |
| Audio Compression            | G.711alaw/G.711ulaw/G.722/G.726/MP2L2/ PCM   |
| IR Distance                  | Up to 200m   |
| Alarm Linkage                | Preset, Patrol, Pattern, Micro SD/SDHC Card Recording, Aux Output, Notification on Client, FTP Uploading, Sending Email, Triggering Channel                              |
| Alarm Input                  | 7 –ch  |
| Alarm Output                 | 2 –ch; Support Alarm Linkage   |
| Audio Input                  | 1 LINE_IN Input and MIC Input; Peak: 2 to 2.4V [p-p]; Impedance: 1KΩ±10%   |
| Audio Output                 | 1; Linear Level; Impedance: 600Ω   |
| Ethernet                     | 10 Base-T/100 Base-TX. RJ45 Connector  |
| On-board Storage             | Built-in Micro SD/SDHC/SDXC Card Slot, Up to 128GB, Support Manual/Alarm Recording   |
| Analog Video Output          | 1.0V [p-p]/75Ω, PAL/NTSC/BNC   |
| RS485                        | Half-duplex; HIKVISION, PELCO-P, PELCO-D Self-adaptive   |
| <b>General</b>               |  |
| Movement Range               | Network Camera (Universal Joint Module): Pan: 90 °; Tilt: -45 ° to 45 °<br>Speed Dome: Pan: 360 °; Tilt: -20 ° to 90 °; Auto Reverse                                     |
| Menu                         | English  |
| Power                        | 24 V AC/5A,<br>Max. consumption: 80W (with IR and heater on)<br>IR Light consumption: Max. 24 W, and Heater consumption: Max. 15 W                                       |
| Working Temperature/Humidity | -40 °C to 65 °C (-40 °F to 149 °F); Humidity: 90% or Less  |
| Protection Level             | IP66, TVS 6000V Lightning Protection, Surging Protection and Voltage Transient Protection  |
| Mount                        | Horizontal Pole Mount  |
| Dimensions                   | Φ266.6 mm × 908.1 mm (Φ10.5" × 35.8")  |
| Weight                       | 12.89 kg (Approx. 28.4 lbs)  |

## Wide Range Coverage for Different Specifications

**Note:** The table below is only for reference, the performance varies from model to model, and the specific data is based on 17 μm pixel space-between.

|                                 |      |       |       |       |       |       |
|---------------------------------|------|-------|-------|-------|-------|-------|
| Lens (focal length)             | 10mm | 15mm  | 25mm  | 35mm  | 50mm  | 75mm  |
| Detection range (Vehicles)      | 902m | 1353m | 2255m | 3157m | 4510m | 6765m |
| Detection range (Humans)        | 294m | 441m  | 735m  | 1029m | 1471m | 2206m |
| Recognition range (Vehicles)    | 225m | 338m  | 564m  | 789m  | 1127m | 1691m |
| Recognition range (Humans)      | 74m  | 110m  | 184m  | 257m  | 368m  | 551m  |
| Identification range (Vehicles) | 113m | 169m  | 282m  | 395m  | 564m  | 846m  |
| Identification range (Humans)   | 37m  | 55m   | 92m   | 129m  | 184m  | 276m  |

## Smart functions Range Table

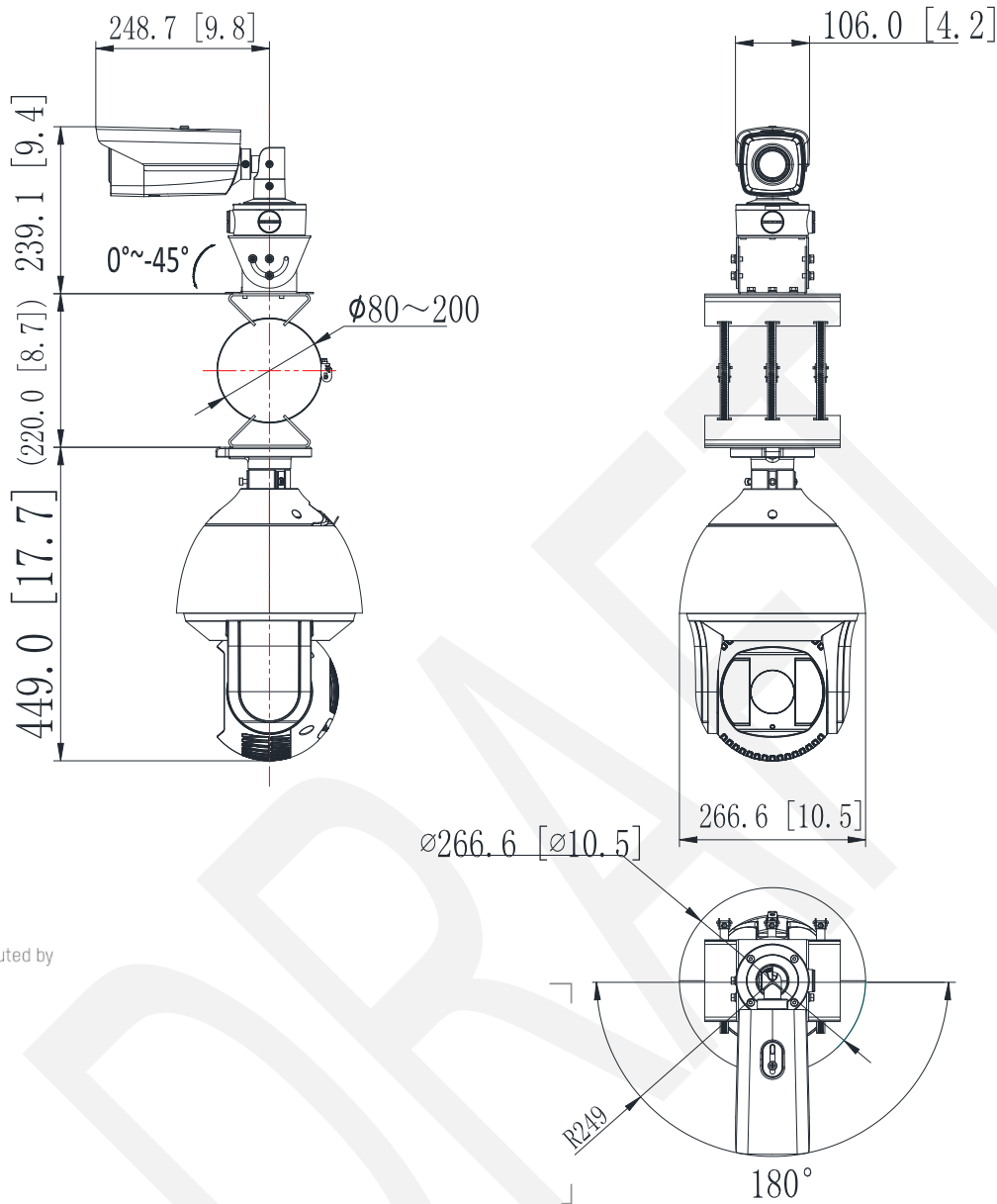
**Note:** The table below is only for reference, the performance varies from model to model, and the specific data is based on 17 μm pixel space-between.

|  |      |      |      |       |       |       |       |
|--|------|------|------|-------|-------|-------|-------|
| Lens (focal length)                    | 7mm  | 10mm | 15mm | 25mm  | 35mm  | 50mm  | 75mm  |
| VCA range (humans)                     | 50m  | 72m  | 110m | 183m  | 255m  | 360m  | 540m  |
| VCA range (Vehicles)                   | 412m | 588m | 882m | 1470m | 2058m | 2940m | 4410m |
| Temperature measurement (Object:2×2 m) | 164m | 234m | 351m | 585m  | 819m  | 1170m | 1755m |
| Temperature measurement (Object:1×1 m) | 83m  | 118m | 177m | 295m  | 413m  | 590m  | 885m  |
| Fire Detection (Object:2×2 m)          | 412m | 588m | 882m | 1470m | 2058m | 2940m | 4410m |
| Fire Detection (Object:1×1 m)          | 206m | 294m | 441m | 735m  | 1029m | 1470m | 2205m |

## Order Models

DS-2TX3636-25P

## Dimensions



Distributed by



Unit:mm (inch)

## HIKVISION

### Headquarters

No.555 Qianmo Road, Binjiang District,  
Hangzhou 310051, China  
T +86-571-8807-5998  
overseasbusiness@hikvision.com

**Hikvision USA**  
T +1-909-895-0400  
sales.usa@hikvision.com

**Hikvision Europe**  
T +31-23-55-42-770  
info.eu@hikvision.com

**Hikvision Middle East**  
T +971-4-8816086  
salesme@hikvision.com

**Hikvision Russia**  
T +7-495-669-67-99  
saleru@hikvision.com

**Hikvision India**  
T +91-22-28469900  
sales@pramahikvision.com

**Hikvision Italy**  
T +39-0438-6902  
info.it@hikvision.com

**Hikvision France**  
T +33(0)1-85-330-450  
info.fr@hikvision.com

**Hikvision Spain**  
T +34-91-737-16-55  
info.es@hikvision.com

**Hikvision Poland**  
T +48-22-460-01-50  
poland@hikvision.com

**Hikvision UK**  
T +01628-902140  
support.uk@hikvision.com

**Hikvision Singapore**  
T +65-6684-4718  
sg@hikvision.com

**Hikvision Oceania**  
T +61-2-8599-4233  
salesau@hikvision.com

**Hikvision Canada**  
T +1-909-895-0400  
sales.usa@hikvision.com

**Hikvision Korea**  
T +82-31-731-8841  
sales.korea@hikvision.com

**Hikvision Brazil**  
T +55 11 3318-0050  
Latam.support@hikvision.com

**Hikvision Africa**  
T +27 (10) 0351172  
sale.africa@hikvision.com

**Hikvision Hong Kong**  
T +852-2151-1761

0504021071121